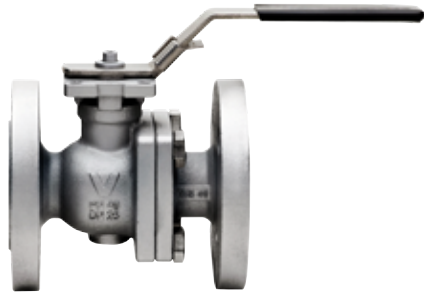
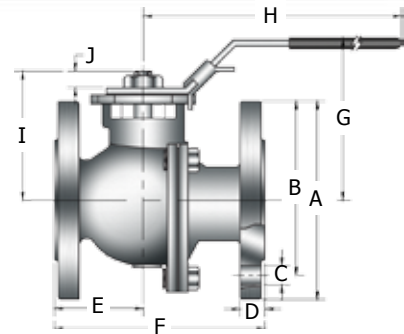
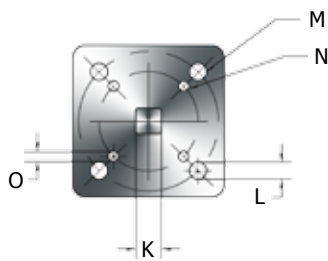


C2FF150DM/S2FF150DM SERIES BALL VALVE



FEATURES:

- Full Port ANSI Class 150 Flange Valve
- ISO 5211 Mounting Pad w/Locking Handle Std.
- Available in Carbon and Stainless Steel
- Blow-Out Proof Stem, Grounded Ball & Stem Std.
- Fire Safe Certified to API607, 6th Edition
- Designed to ANSI B16.5, B16.10, B16.34
- Complies with NACE MR 0175/ISO 15156 and NACE MR 0103



DIMENSIONS

Part # Stainless Steel	Part # Carbon Steel	Size NPS	A	B	C	D	E	F	G	H	I	J	K (in/mm)	L	M	N	O	Cv	Torq in/Lbs	Lbs
S2FF150DM-8	C2FF150DM-8	1"	4.33	3.13	.63x4	.057	2.13	5.00	3.66	6.30	2.72	0.43	0.35/9	0.28	F05	-	-	50	89	8.38
S2FF150DM-12	C2FF150DM-12	1-1/2"	5.12	3.88	.63x4	0.69	2.99	6.50	4.65	9.45	3.70	0.55	0.43/11	0.33	F07	F05	M6	267	195	15.4
S2FF150DM-16	C2FF150DM-16	2"	5.91	4.04	.75x4	0.77	3.33	7.01	5.00	9.45	4.06	0.53	0.43/11	0.33	F07	F05	M6	308	372	21.2
S2FF150DM-24	C2FF150DM-24	3"	7.48	6.00	.75x4	0.94	3.66	7.99	6.38	12.60	5.41	0.69	0.55/14	0.43	F10	F07	M10	1015	796	39.5
S2FF150DM-32	C2FF150DM-32	4"	9.06	7.50	.75x8	0.94	3.92	9.02	6.97	14.96	6.04	0.75	0.67/17	0.43	F10	F07	M10	1616	841	53.6

BILL OF MATERIALS

PART	Material Stainless Steel	Material Carbon Steel
Body	A351 CF8M	A216 WCB
End Connection	A352 CF8M	A216 WCB
Ball	A216-316/A351-CF8M	A216-316/A351-CF8M
Ball Seat	PTFE	PTFE
Screw	Stainless Steel	Carbon Steel
Body Seal	Graphoil	Graphoil
Body Seal	PTFE	PTFE
Stem	A276-316	A276-304
Screw	Stainless Steel	Carbon Steel
Handle Nut	Stainless Steel	Carbon Steel
Lock Nut	Stainless Steel	Carbon Steel
Spring Washer	Stainless Steel	Carbon Steel
Stem Bushing	A276-316	A276-316
Stem Seal	Graphoil	Graphoil
O-Ring	FKM-Viton®	FKM-Viton®
Stem Seal	PTFE	PTFE
O-Ring	FKM-Viton®	FKM-Viton®
Thrust Washer	PTFE	PTFE
Handle	Stainless Steel	Stainless Steel

